



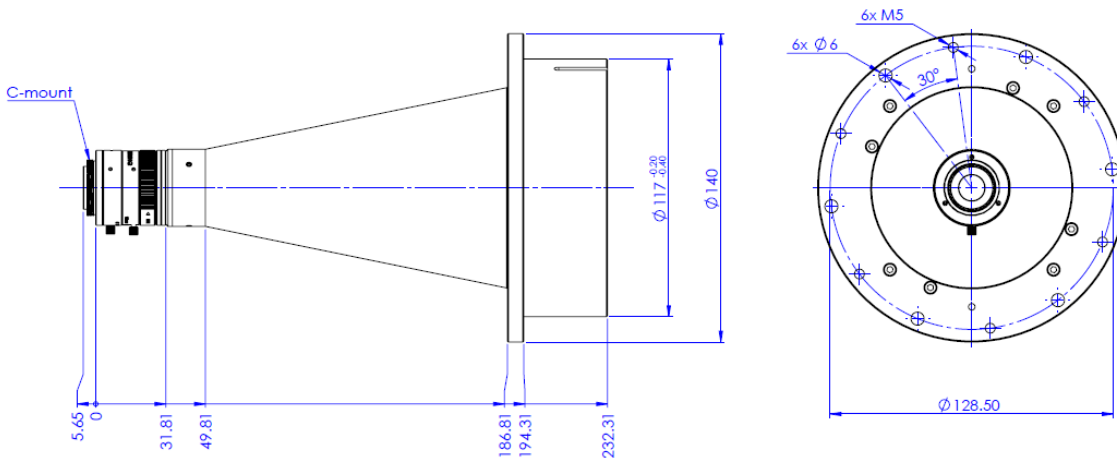
# Product change notification: PCPW series

Dear customer,

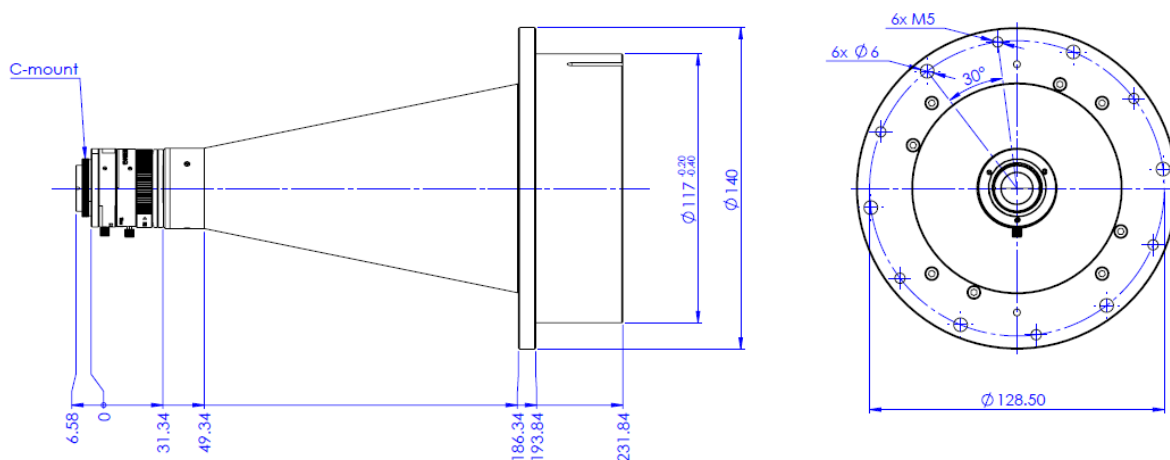
As of March 31, 2022, the eyepiece part of the PCPW series will be changed. Lenses ordered from this date will feature a new eyepiece part with modified f-number graphics, focus adjustment and the Opto Engineering® logo. The mechanical dimensions are indicated in the updated technical drawings listed below.

Please [contact our sales engineers](#) to discuss your specific needs.

## PCPW013



## PCPW012





PCPW023

